



CLASSIFICATION

For Sale: Used

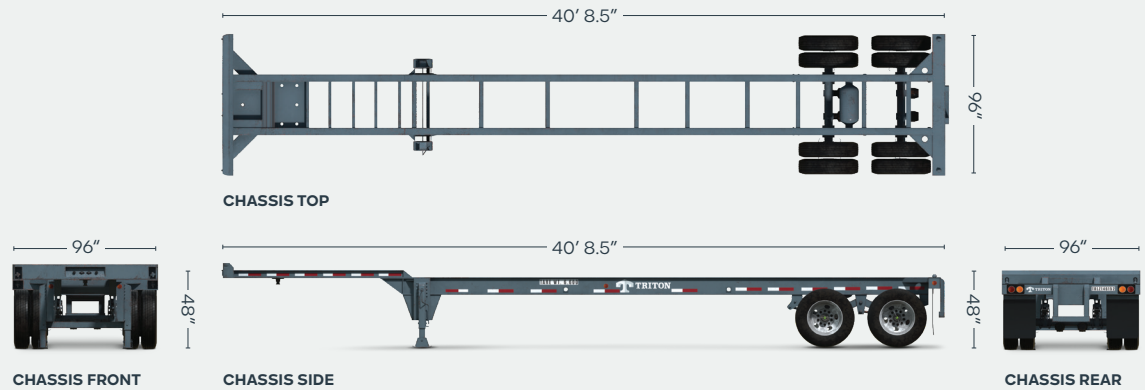
Available via Triton's global network of supply locations.

40ft Used Gooseneck Chassis for 40ft Containers



FEATURES

- Designed for the transport of 40ft ISO containers
- Rugged, versatile and dependable
- Chassis available in "road worthy" condition with current FHWA inspection certificate
- Alternatively can be sold in "as is" condition, for those looking to do their own repairs or tire swaps
- In most cases chassis can be made available for survey, or pictures can be provided on request
- Backed up by Triton's global network of supply locations and dedicated sales and support teams
- Supply throughout North America from an industry leader



DIMENSIONS (METRIC/IMPERIAL)

SIZES

Overall Length	12,408 mm	40' 8.5"
Overall Width	2,438 mm	96"
Fifth Wheel Height	1,219 mm	48"
Rear Deck Height	1,219 mm	48"

WEIGHTS

Tare Weight	3,084 kg	6,800 lbs
Gross Vehicle Weight Rating	30,481 kg	67,200 lbs

OTHER

Radial Tires	Yes
LED Lights	Yes

NOTE: The dimensions and door openings of all containers correspond to ISO standards. However, due to production tolerances, a difference in measurement is possible.

DISCLAIMER: Every effort is made to ensure this information is accurate, however Triton does not assume any liability for the accuracy of the information and content provided in marketing or information materials, or for the consequences resulting from using the information and content provided. Triton does not guarantee or claim that said information and content is exhaustive. Claims as to the exhaustive nature of said information and content are excluded. The information and content is only provided for advertising purposes and is non-binding. No explicit or implied warranties or guarantees are made. The container displayed only represents a sample of the entire fleet.

The following items are registered or unregistered service marks in the United States and/or foreign jurisdictions pursuant to applicable intellectual property law and are the property of Triton International Limited and its subsidiaries: Triton® and TAL®.