



CLASSIFICATION

Lease

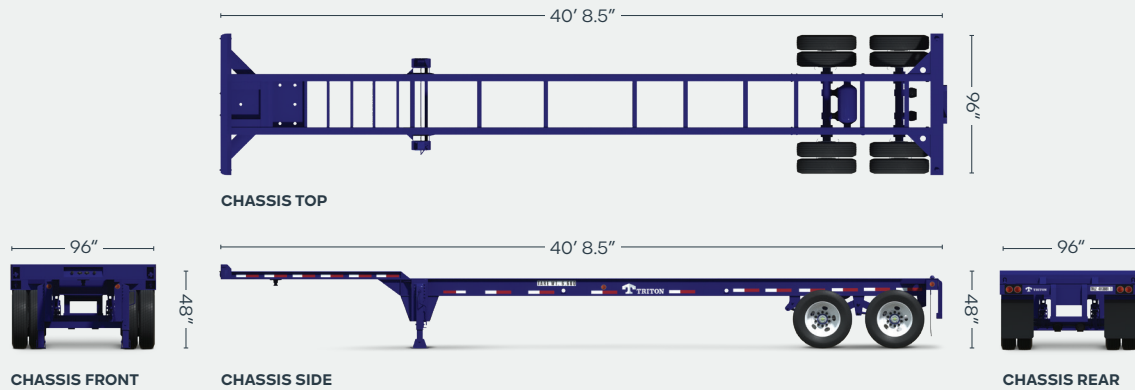
Available via Triton's global network of supply locations.

40ft Gooseneck Chassis for 40ft Containers



FEATURES

- Designed for the transport of 40ft ISO containers
- Meets all TOFC, AAR, DOT, FMVSS, ISO, ANSI, SAE and TTMA Specifications
- LED Lights
- 22.5" x 8.25" hub piloted wheels, 11" x 22.5" radials and automatic tire inflation system
- ThermALERT™ – high heat, wheel end warning system, GPS ready
- Rugged, versatile and dependable
- Triton's industry leading new production testing and inspection criteria ensures the highest quality product
- Modern fleet to help reduce "downtime" of chassis repairs.
- Dedicated fleet to ensure availability
- Bypass the chassis pools and significantly reduce your daily costs
- Supply throughout North America from an industry leader
- Backed up by Triton's nationwide network of supply locations and dedicated sales and support teams
- Tailored lease terms to meet your company needs



DIMENSIONS (METRIC/IMPERIAL)

SIZES

Overall Length	12,408 mm	40' 8.5"
Overall Width	2,438 mm	96"
Fifth Wheel Height	1,219 mm	48"
Rear Deck Height	1,219 mm	48"

WEIGHTS

Tare Weight	3,084 kg	6,800 lbs
Gross Vehicle Weight Rating	30,481 kg	67,200 lbs

OTHER

Radial Tires	Yes
LED Lights	Yes

NOTE: The dimensions and door openings of all containers correspond to ISO standards. However, due to production tolerances, a difference in measurement is possible.

DISCLAIMER: Every effort is made to ensure this information is accurate, however Triton does not assume any liability for the accuracy of the information and content provided in marketing or information materials, or for the consequences resulting from using the information and content provided. Triton does not guarantee or claim that said information and content is exhaustive. Claims as to the exhaustive nature of said information and content are excluded. The information and content is only provided for advertising purposes and is non-binding. No explicit or implied warranties or guarantees are made. The container displayed only represents a sample of the entire fleet.

The following items are registered or unregistered service marks in the United States and/or foreign jurisdictions pursuant to applicable intellectual property law and are the property of Triton International Limited and its subsidiaries: Triton® and TAL®.