

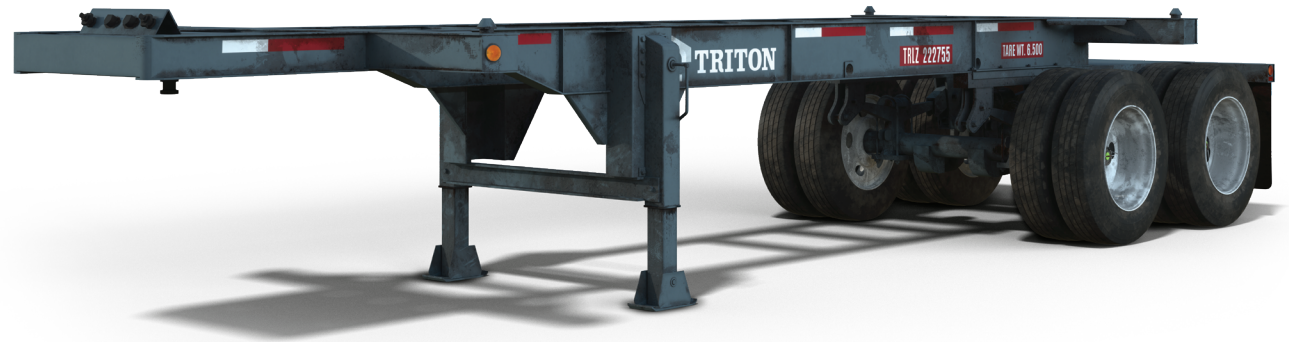


#### CLASSIFICATION

#### For Sale: Used

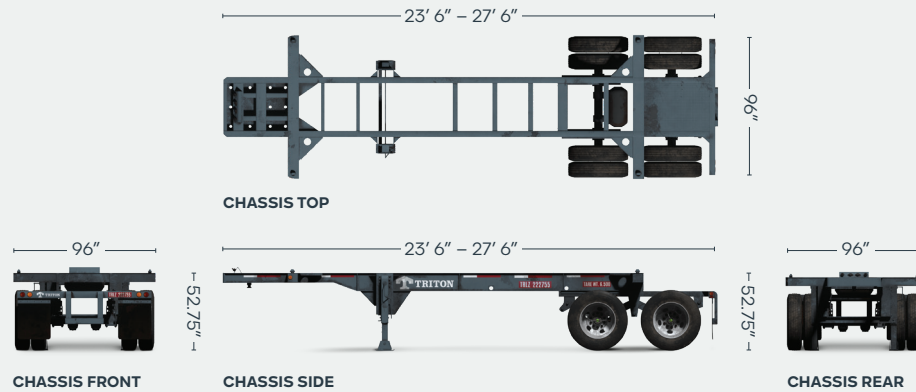
Available via Triton's global network of supply locations.

# 23ft 6in Used Slider Chassis for 20ft Containers



#### FEATURES

- Designed for the transport of 20ft ISO containers
- Rugged, versatile and dependable
- Chassis available in "road worthy" condition with current FHWA inspection certificate
- Alternatively can be sold in "as is" condition, for those looking to do their own repairs or tire swaps
- In most cases chassis can be made available for survey, or pictures can be provided on request
- Backed up by Triton's global network of supply locations and dedicated sales and support teams
- Supply throughout North America from an industry leader



## DIMENSIONS (METRIC/IMPERIAL)

### SIZES

<b>Overall Length</b>		
Retracted Position	7,163 mm	23' 6"
Extended Position	8,382 mm	27' 6"
<b>Overall Width</b>		
	2,438 mm	96"
<b>Fifth Wheel Height</b>		
	1,219 mm	48"
<b>Rear Deck Height</b>		
	1,340 mm	52.75"

### WEIGHTS

<b>Tare Weight</b>	3,130 kg	6,900 lbs
<b>Gross Vehicle Weight Rating</b>	30,481 kg	67,200 lbs

### OTHER

<b>Radial Tires</b>	Yes
<b>LED Lights</b>	Yes

**NOTE:** The dimensions and door openings of all containers correspond to ISO standards. However, due to production tolerances, a difference in measurement is possible.

**DISCLAIMER:** Every effort is made to ensure this information is accurate, however Triton does not assume any liability for the accuracy of the information and content provided in marketing or information materials, or for the consequences resulting from using the information and content provided. Triton does not guarantee or claim that said information and content is exhaustive. Claims as to the exhaustive nature of said information and content are excluded. The information and content is only provided for advertising purposes and is non-binding. No explicit or implied warranties or guarantees are made. The container displayed only represents a sample of the entire fleet.

The following items are registered or unregistered service marks in the United States and/or foreign jurisdictions pursuant to applicable intellectual property law and are the property of Triton International Limited and its subsidiaries: Triton® and TAL®.